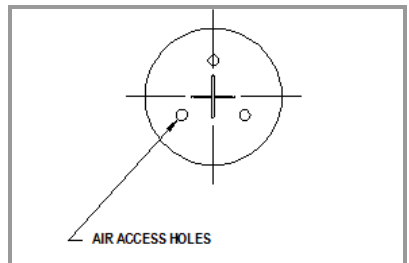
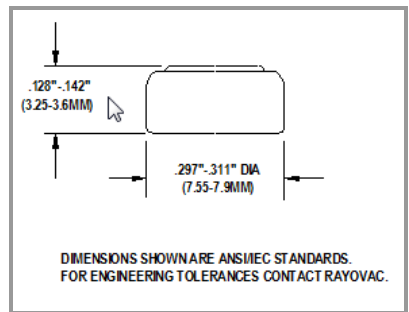


<b>Rayovac Stock Number</b>	312ZM
<b>Name</b>	312 Zero Mercury
<b>Cell Chemistry</b>	Zinc Air
<b>Recommended Use</b>	Hearing Aid Instruments
<b>Nominal Voltage</b>	1.45 volts
<b>Designation</b>	ANSI : 7002ZD IEC : PR41 Common : 312
<b>Weight</b>	0.53 grams (.02 oz)
<b>Volume</b>	.17 cc (.010 cu. in.)
<b>Environmental</b>	These cells have no added mercury. Refer to <a href="#">Rayovac Material Safety Data Sheets</a> for more detailed information.
<b>Operating Temperature Range</b>	-10° C to 50° C (14° F to 122° F)
<b>ANSI/IEC Hearing Aid Standard Test</b>	141 hours – 1.2 mA background, 5 mA 100 ms pulse, once every 2 hours, 12 hours/day to 1.05V at 70°F (21° C) and 50% RH.
<b>ANSI/IEC Hearing Aid High Power Test</b>	83 hours – 2 mA background, 10 mA 100 ms pulse, once every 2 hours, 12 hours/day to 1.05V at 70°F (21° C) and 50% RH.
<b>Storage Loss at 70°F (21°C)</b>	Less than 10% in one year with tab applied.
<b>Activation and use</b>	Remove and discard the plastic tab covering air holes. Allow the battery to stand for one minute to insure proper activation. The battery compartment must allow for an adequate oxygen supply to reach air holes.



**Typical ANSI/IEC Discharge Performance**

